

GLEN ST Fenders

ST rubber fenders provide large contact area with one closed bevel end, could be used under very serious condition.

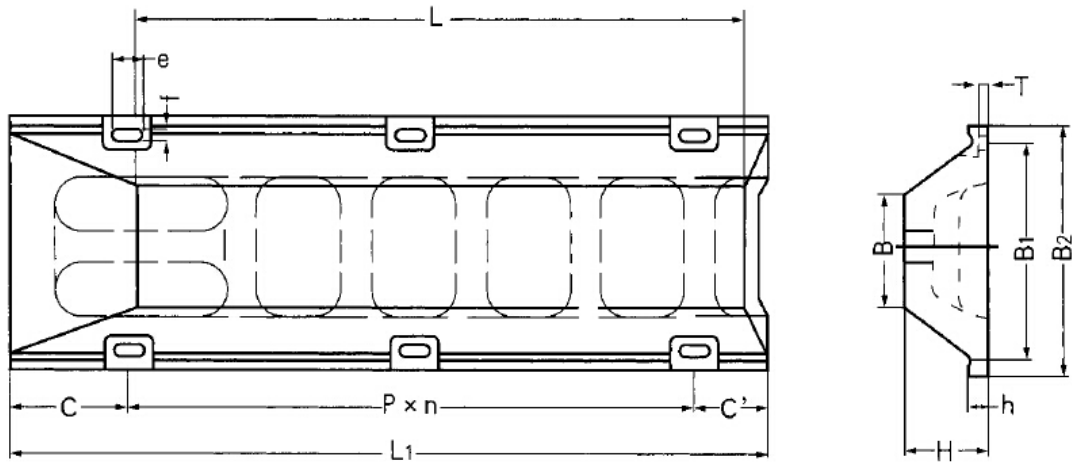
Features:

- large contact area, low surface pressure
- Stable and hard wearing
- Long service time
- Easy installation

Applications:

- Jetties and wharves for small craft
- Workboat harbours
- General cargo
- Inland waterway

Specification (mm)



Spec.	L	L1	C	C'	P	n	e	f	B	B1	B2	H	h	T
GST-150H	1000	1225	150	125	475	2	50	25	195	375	435	150	36	20
GST-150H	1500	1725	150	125	725	2	50	25	195	375	435	150	36	20
GST-150H	2000	2225	150	125	650	3	50	25	195	375	435	150	36	20
GST-150H	2500	2725	150	125	615	4	50	25	195	375	435	150	36	20
GST-150H	3000	3225	150	125	740	4	50	25	195	375	435	150	36	20
GST-150H	3500	3725	150	125	690	5	50	25	195	375	435	150	36	20
GST-200H	1000	1301	150	121	515	2	58	29	260	500	580	200	48	22
GST-200H	1500	1801	150	131	760	2	58	29	260	500	580	200	48	22



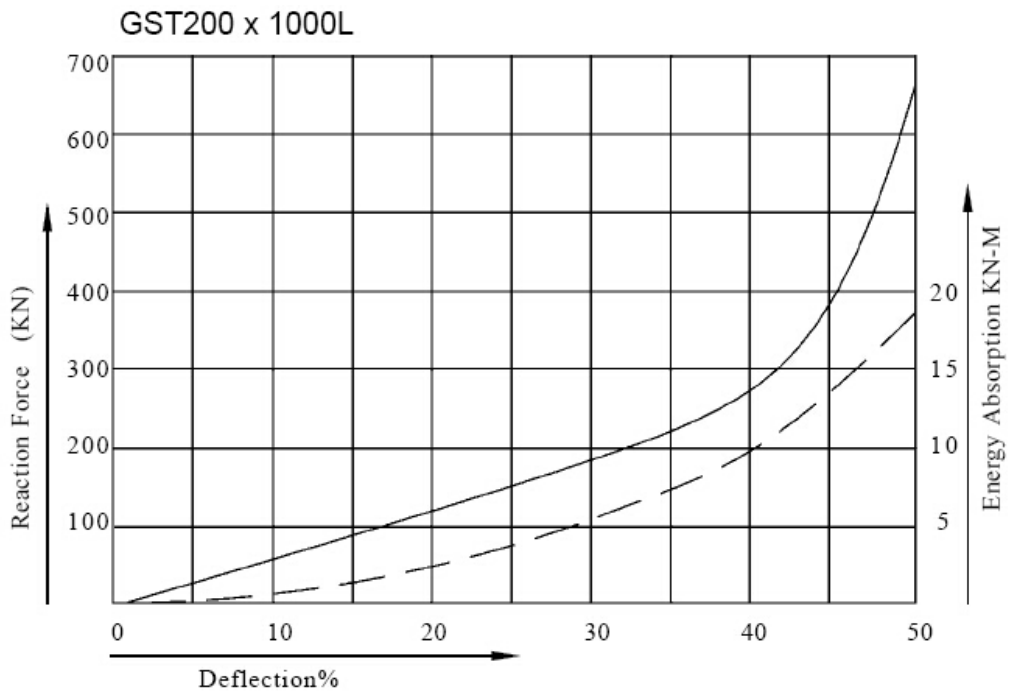
GST-200H	2000	2301	150	126	675	3	58	29	260	500	580	200	48	22
GST-200H	2500	2801	150	131	630	4	58	29	260	500	580	200	48	22
GST-200H	3000	3301	150	131	755	4	58	29	260	500	580	200	48	22

Notes: other sizes could be manufactured at user's request.

Performance Data:

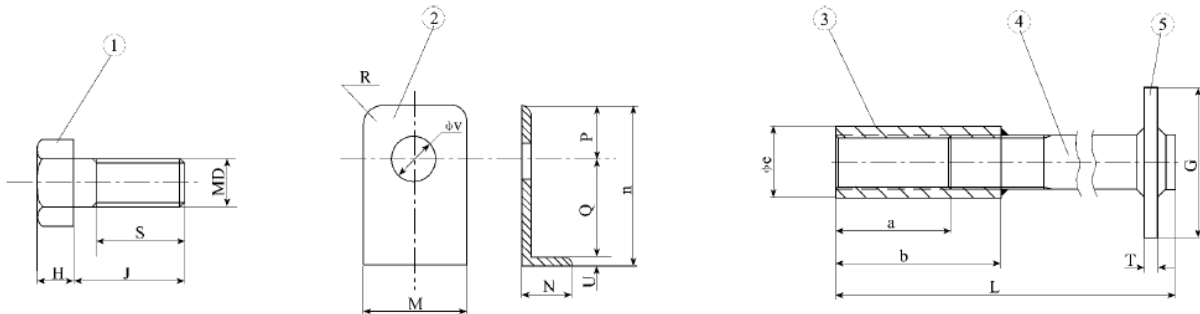
Performance/type	Deflection 50%	
	Reaction force	Energy absorption
GST150 x 1000L	308	8
GST200 x 1000L	650	18

Performance Curve





Accessories:



Spec.	Bolt				Washer												
	D	J	S	H	M	N	P	Q	U	V	R	a	b	e	T	L	G
GST-150H	M22	55	50	14	68	12	23	32	4.5	24	10	50	75	28	6	165	50
GST-200H	M24	65	59	15	74	14	33	42	4.5	26	10	59	85	32	6	180	55
Material	Q235H.D.G 1Cr13(2Cr13) 1Cr18Ni9Ti 0Cr17Ni12MO2				Q235 H.D.G							1Cr13(2Cr13) 1Cr18Ni9Ti 0Cr17Ni12MO2 Q235					