

## GLEN Arch Fenders

Arch fenders are simple and rugged which make them can be used in most severe conditions. The fenders could be fitted with either UHMW-PE face pads or connected to steel panels.

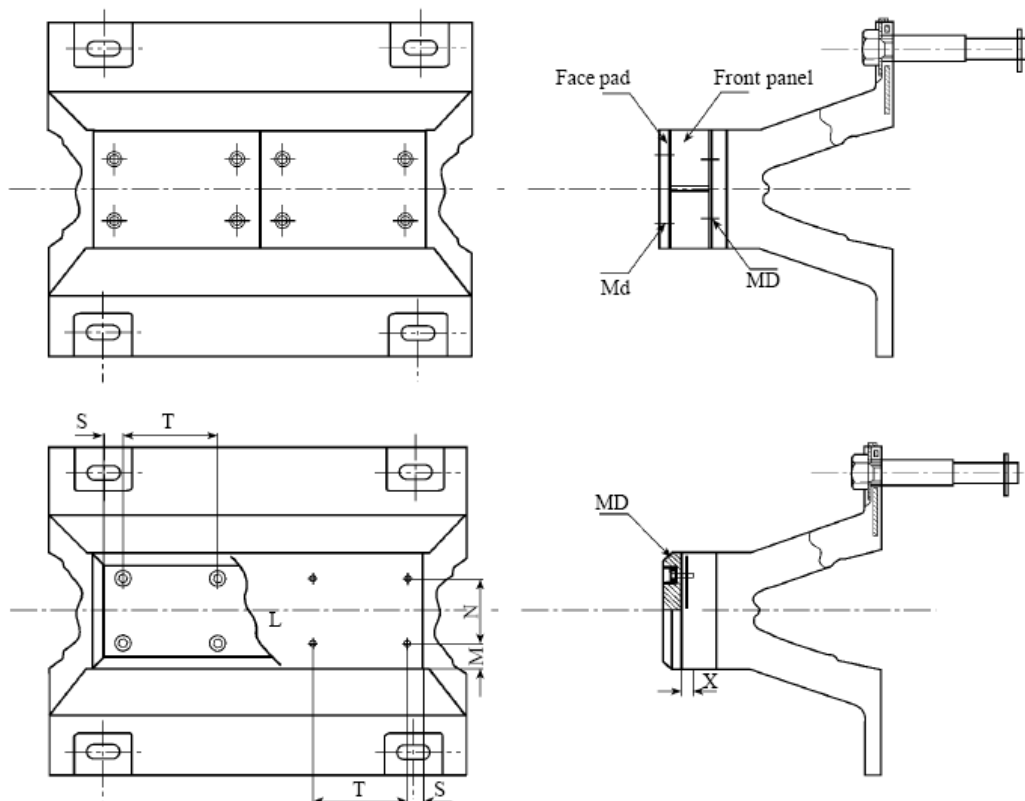
### Features:

- Low reaction force, high energy absorption
- Simple and reasonable structure, long service time
- Can be fitted with frontal panel to protect fenders and low down HP
- Large range of standard sizes, meet various design conditions

### Applications:

- General cargo berths
- Ro-Ro berths
- Workboat harbours
- Barge and tug berths

### Dimension: ( mm)





Spec.			Connect with UNMW face pad		Connect with front panel		MD	Md	X	Length
	M	N	S	T	S	T				
Arch150	49	0	60	300-400	125	250-300	M22	M16	35	1000-3500
Arch200	65.5	0	60	300-400	125	250-300	M24	M16	35	1000-3500
Arch250	50	64	60-85	300-400	125	250-300	M27	M16	35	1000-3500
Arch300	60	105	60-85	300-400	125	250-300	M30	M16	40	1000-3500
Arch400	60	180	60-85	300-400	125	250-300	M36	M16	45-50	1000-3500
Arch500	65	245	60-85	300-400	125	250-300	M42	M16	50-55	1000-3500
Arch600	70	310	60-85	300-400	125	250-300	M48	M16	50-55	1000-3500
Arch800	80	440	60-85	300-400	125	250-300	M64	M16	55-60	1000-3000
Arch1000	90	570	60-85	300-400	125	250-300	M64	M16	60-70	1000-2000

## GLEN Arch Fenders

### Performance Data:

Spec.	RS		RH		RO		RL	
	Reaction Force	Energy Absorption	Reaction Force	Energy Absorption	Reaction Force	Energy Absorption	Reaction Force	Energy Absorption
Arch150	181	7	155	7	116	5	78	3
Arch200	241	13	208	11	157	8	103	6
Arch250	257	24	196	19	165	15	144	12
Arch300	326	35	242	27	200	21	158	16
Arch400	413	64	306	49	261	41	229	31
Arch500	511	102	401	78	354	64	268	54
Arch600	613	133	462	108	386	83	299	71
Arch800	831	265	621	200	510	150	456	126
Arch1000	1015	417	788	312	259	262	539	221

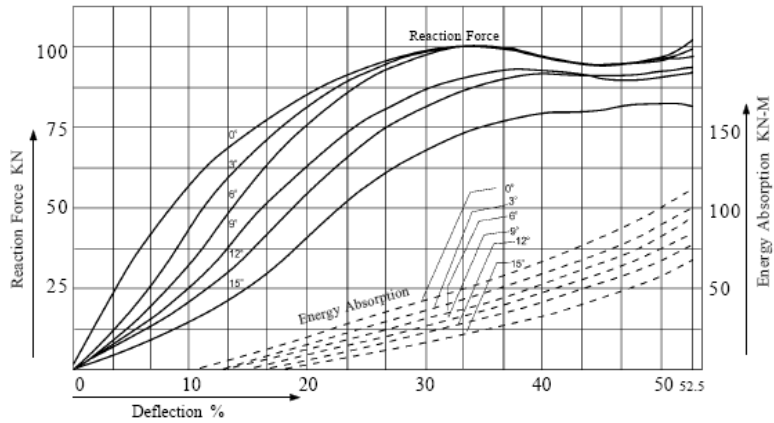
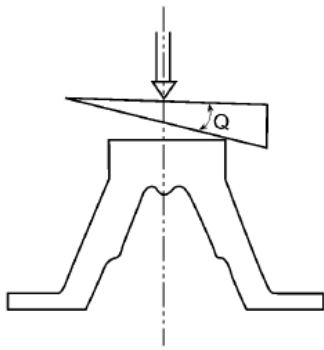
\*Performance tolerance:  $\pm 10\%$

\*the performance above is for per meter length fender.



**GLEN Arch Fenders**

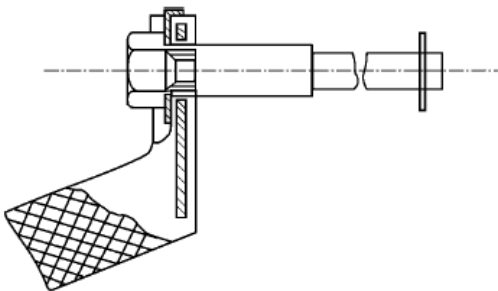
**Angular Compression Performance of Arch Fender**



Notes: the above is for arch fender unit width angular compression deflection

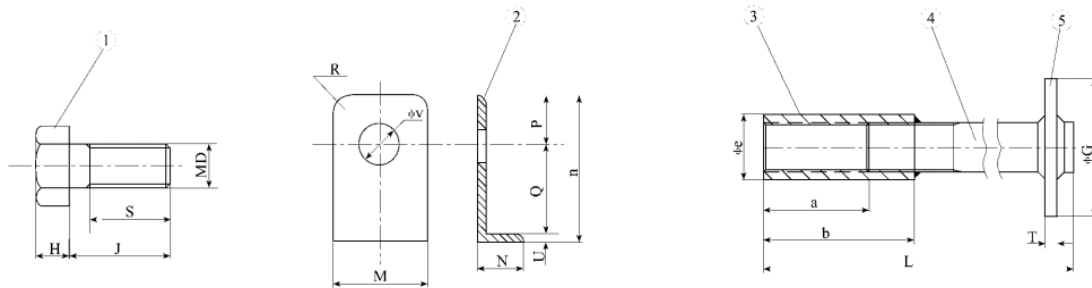
The above curve shows re-correction coefficient of reaction force and energy absorption in different angles at 52.5% deflection.

**Accessories:**



Fender length(meter)	1.0	1.5	2.0	2.5	3.0	3.5
Bolts(PCS)	4	6	8	8	10	12

NO.	Name	Material	Qty
1	Bolt	Q235 Hot-galv 1Cr13(2Cr13)1Cr18Ni9Ti, 0Cr17Ni12MO <sub>2</sub>	1
2	Washer	Q235 Hot-galv	1
3	Pre-built-in nut	1Cr13(2Cr13) 1Cr18Ni9Ti 0Cr17Ni12MO <sub>2</sub>	1
4	Foot rod	Q235	1
5	Foot board	Q235	1



specifications	Bolt				Washer								Pre-built-in nut		Foot rod		Foot board	
	D	J	S	H	M	N	n	P	Q	U	V	R	a	b	e	T	L	G
Arch 150	M22	55	50	14	68	12	23	23	32	5	24	10	50	75	28	6	165	50
Arch 200	M24	65	59	15	74	14	33	33	42	5	26	10	59	85	32	6	180	55
Arch 250	M27	65	60	17	88	16	42	42	48	5	30	15	60	90	34	9	200	55
Arch 300	M30	85	70	19	100	19	109.5	47	58	5	37	15	85	120	42	9	300	80
Arch 400	M36	95	80	23	119	22	126	52	68	6	43	25	85	125	48	9	360	85
Arch 500	M42	110	90	26	127	25	145	56	83	6	49	30	95	140	58	12	420	110
Arch 600	M48	110	100	30	139	28	165	61	98	6	52	30	95	145	65	12	480	115
Arch 800	M64	150	120	40	195	32	266	124	134	8	70	40	125	190	78	16	640	130
Arch 1000	M64	150	120	40	215	36	306	134	164	8	70	40	125	190	78	16	640	130