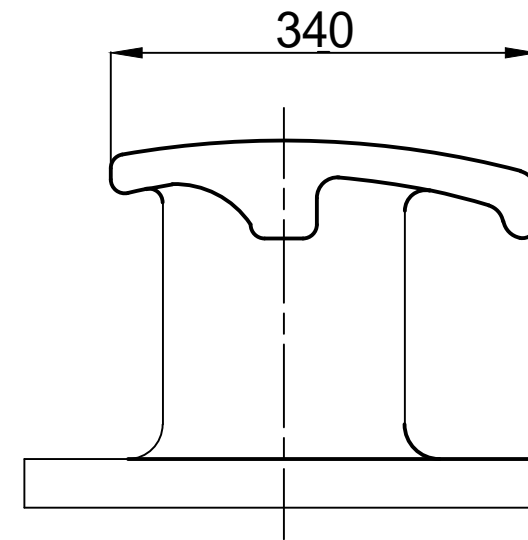
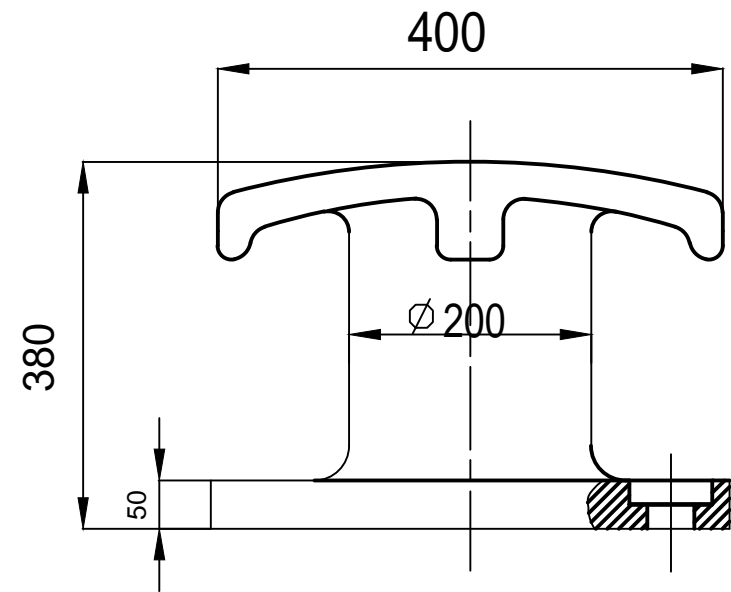
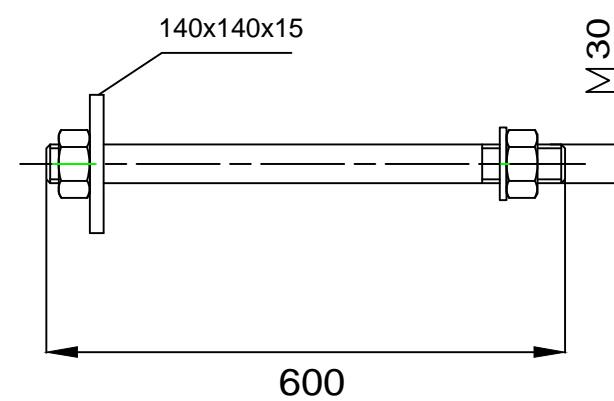
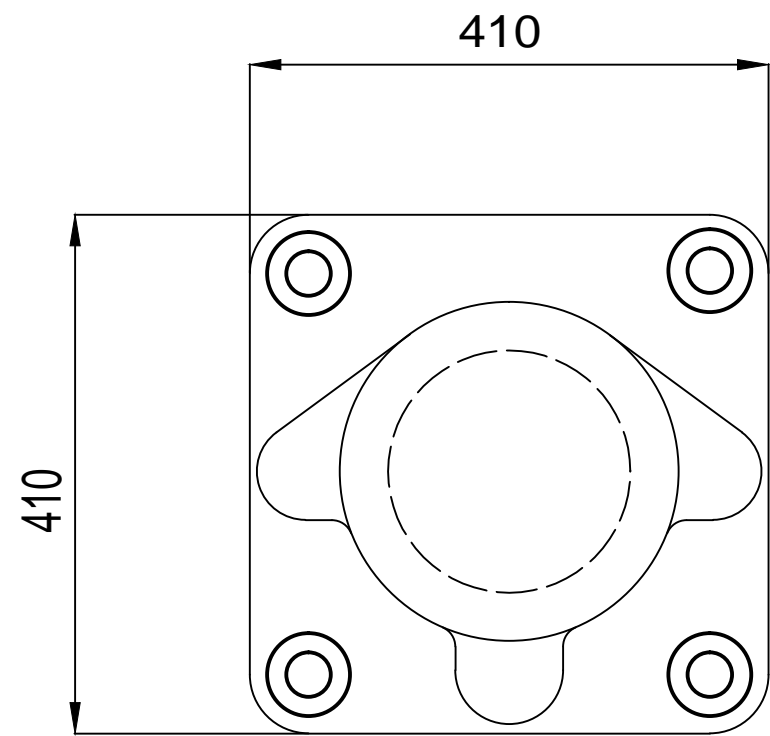


修订号	修订说明	日期	签字	已校对
-----	------	----	----	-----



NOTES:
 -ALL DIMENSIONS IN mm U.O.N.
 -CAPACITY OF BOLLARD: 30Ton
 -MATERIAL: DUCTILE CAST IRON QT450
 BOLTS STEEL GRADE 8.8 H.D.G
 -FINISH: BLACK BITUMINOUS PAINT
 -ANY DEFECT THAT WOULD AFFECT THE
 CAPACITY SUCH AS SAND BURNINGS, SHRINKAGES,
 CRACKS AND SCABS IS NOT ALLOWED



参照项目	数量	标题/名称、设计、材料和标注等	序号/参照
设计 B.SUN		校对 Z.DING	日期
		审批 - 日期	文件名 BOLLARD
GLEN Flange Limited Focus on Offshore Industry		bollard 30Ton	
		TRICON TYPE	版本 0
			图纸 1/1